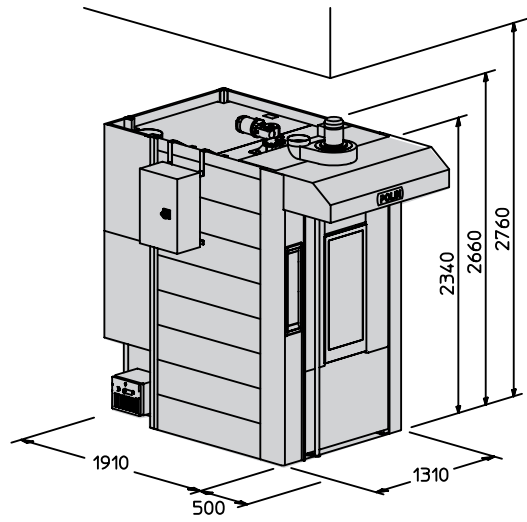


# ROTO BRAVO



- Modular steam generator, with cascade elements with spheres (great steam production)
- Hood with exhaust fan
- Door with double glass and double closing
- Heat exchanger with armored heating elements (SE)
- Standard rotation device with hook
- Electric board with extended cables to hang it on oven's sides
- Racks height 1925 mm
- Oven with burner/resistors on the right is available (optional)
- Preset for automatic lifting group by lever (optional)

|               |                 |
|---------------|-----------------|
| Power inlet   | 400/3N~/50      |
| Fume exhaust  | Diameter 200 mm |
| Steam exhaust | Diameter 150 mm |



|                        | Pan capacity | Pan size | Minimum door width | Weight | Voltage | SC version |        | SE version |             |
|------------------------|--------------|----------|--------------------|--------|---------|------------|--------|------------|-------------|
|                        |              |          |                    |        |         | kW         | kcal/h | Standard   | Potentiated |
|                        | n°           | passo    | mm                 | mm     | kg      | kW         | kcal/h | kW         | kW          |
| <b>ROTO BRAVO 6080</b> | 16           | 105      | 600x800            | 650    | 1300 SC | 2,0        | 60.000 | 48,8       | 58,5        |
|                        | 18           | 93       | 2x600x400          |        | 1250 SE |            |        |            |             |