

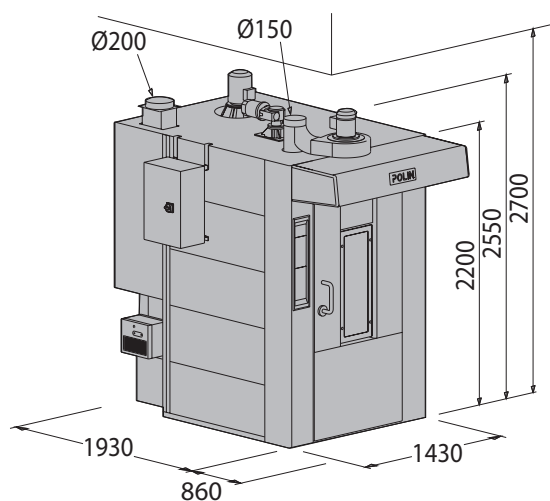
# ROTO CLASSIC



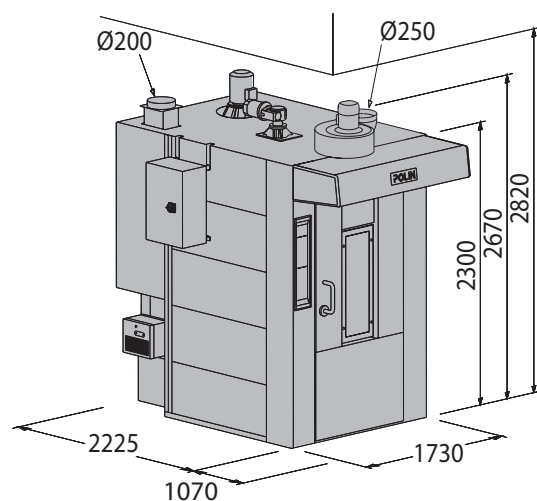
- Steamers with automatic feed
- Hood with exhaust fan
- Door with double glass
- EI/elements heat generator (SE)
- Standard rotation device with hook
- Electric board with extended cables to hang it on oven's sides
- Racks height 1815 mm

Power inlet	400/3N~/50
Fume exhaust	Diameter 200 mm
Steam exhaust	Diameter 150 mm (Mod. 6080) Diameter 250 mm (Mod. 8095)

## CLASSIC 6080



## CLASSIC 8095



	Pan capacity	Pan size	Minimum door width	Weight	Voltage	SC version		SE version	
						n°	passo	mm	mm
<b>ROTO CLASSIC 6080</b>	16	105	600x800	500	1400 SC	2,0	60.000	49,0	57,0
	18	87	2x600x400		1350 SE				
<b>ROTO CLASSIC 8095</b>	16	105	600x990	800	1720 SC	2,5	70.000	52,5	63,0
	18	87	2 660x930 2 760x930		1670 SE				